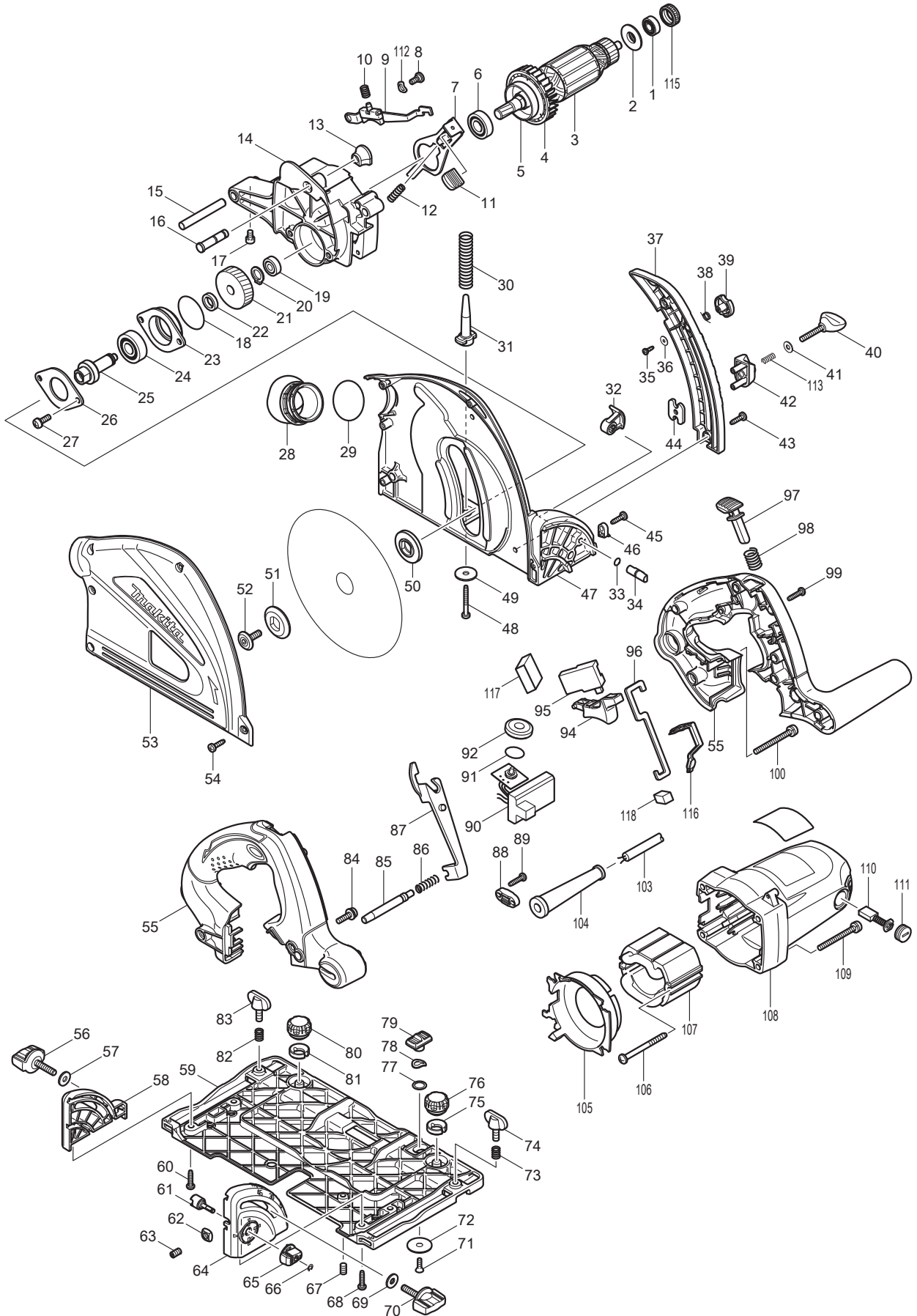




11 - 2010

SP6000

6-1/2" PLUNGE CUT CIRCULAR SAW



Item No.	Type	Sub	Part No.	Description (*see Service changes on the bottom)	Qty	Unit
1			210013-5	BALL BEARING 698VV	1	PC.
2			681634-4	INSULATION WASHER	1	PC.
3			513676-9	ARMATURE ASS'Y 115V	1	PC.
		INC.		Item No. 1,2,4-6		
4			240091-1	FAN 60	1	PC.
5			345767-6	DRUM	1	PC.
6			211131-2	BALL BEARING 6001DDW	1	PC.
7			345742-2	SHAFT LOCK	1	PC.
8			265011-4	+ BINDING HEAD SCREW K5	1	PC.
9			158096-6	SHOE COMPLETE	1	PC.
10			233480-7	COMPRESSION SPRING 7	1	PC.
11			286275-7	CAP	1	PC.
12			233084-5	COMPRESSION SPRING 6	1	PC.
13			286278-1	CAP	1	PC.
14			158092-4	GEAR HOUSING COMPLETE	1	PC.
		INC.	263002-9	RUBBER PIN 4	1	PC.
15			324716-6	PIN 8	1	PC.
16			324708-5	STOPPER PIN 8	1	PC.
17			265913-4	HEX. SOCKET HEAD BOLT M5X8	1	PC.
18			213512-6	O RING 39	1	PC.
19			211021-9	BALL BEARING 607LLB	1	PC.
20			961052-5	RETAINING RING S-12	1	PC.
21			226637-7	HELICAL GEAR 39	1	PC.
22			257010-0	RING 12	1	PC.
23			318088-9	BEARING BOX	1	PC.
24			211129-9	BALL BEARING 6201DDW	1	PC.
25			324707-7	SPINDLE	1	PC.
26			285689-7	BEARING RETAINER 55	1	PC.
27			911221-8	PAN HEAD SCREW M5X16	2	PC.
28			419620-3	DUST NOZZLE	1	PC.
29	1		213460-9	O RING 35	1	PC.
	2		213416-2	O RING 26	1	PC.
30			233479-2	COMPRESSION SPRING 11	1	PC.
31			419624-5	SPRING HOLDER	1	PC.
32			158095-8	LEVER 20 COMPLETE	1	PC.
		INC.	263002-9	RUBBER PIN 4	1	PC.
33			213021-5	O RING 5	1	PC.
34			324710-8	PIN 8	1	PC.
35			266007-8	TAPPING SCREW BIND PT 3X10	1	PC.
36			253821-1	FLAT WASHER 3	1	PC.
37			419625-3	DEPTH GUIDE	1	PC.
38			231665-9	TORSION SPRING 7	1	PC.
39			419630-0	LOCK LEVER	1	PC.
40			251867-1	SCREW M5X30	1	PC.
41			941101-4	FLAT WASHER 5	1	PC.
42			419623-7	STOPPER BLOCK	1	PC.
43			266034-5	TAPPING SCREW CT 4X16	2	PC.
44			345744-8	NUT PLATE	1	PC.
45			266034-5	TAPPING SCREW CT 4X16	1	PC.
46			419632-6	POSITION PLATE	1	PC.
47			158547-9	BLADE CASE COMPLETE	1	PC.
		INC.	233025-1	COMPRESSION SPRING 2	2	PC.
		INC.	253874-0	FLAT WASHER 4	2	PC.
		INC.	259008-3	PUSH NUT 4	2	PC.
		INC.	286277-3	CAP 14	2	PC.
		INC.	345747-2	SPACER PLATE	2	PC.
48			266053-1	TAPPING SCREW 4X35	1	PC.
49			253010-8	FLAT WASHER 6	1	PC.

Item No.	Type	Sub	Part No.	Description (*see Service changes on the bottom)	Qty	Unit
50			224406-0	INNER FLANGE 35	1	PC.
51			224405-2	OUTER FLANGE 35	1	PC.
52			266403-0	HEX. SOCKET HEAD BOLT M6	1	PC.
53			158214-6	BLADE CASE COVER COMPLETE	1	PC.
54			266034-5	TAPPING SCREW CT 4X16	5	PC.
55			188197-6	HANDLE SET	1	SET
56			265776-8	THUMB SCREW M6X26	1	PC.
57			253111-2	FLAT WASHER 6	1	PC.
58			419596-4	REAR ANGULAR GUIDE	1	PC.
59			318179-6	BASE	1	PC.
60			265995-6	TAPPING SCREW 4X18	2	PC.
61			324731-0	STOPPER PIN	1	PC.
62			252157-5	SQUARE NUT M6	1	PC.
63			266085-8	H.S.SET SCREW(FLAT POINT)M6X10	1	PC.
64			419595-6	FRONT ANGULAR GUIDE	1	PC.
65			419571-0	DIAL 22	1	PC.
66			961017-7	STOP RING E-3	1	PC.
67			266085-8	H.S.SET SCREW(FLAT POINT)M6X10	1	PC.
68			265995-6	TAPPING SCREW 4X18	2	PC.
69			253111-2	FLAT WASHER 6	1	PC.
70			265776-8	THUMB SCREW M6X26	1	PC.
71			912112-6	COUNTERSUNK HEAD SCREW M4X10	1	PC.
72			345748-0	LOCK WASHER	1	PC.
73			231316-4	COMPRESSION SPRING 7	1	PC.
74			265701-9	SCREW M6X14	1	PC.
75			419627-9	HOLDER	1	PC.
76			265775-0	THUMB SCREW M4X3	1	PC.
77	1		267070-4	* FLAT WASHER 10	1	PC.
	2		345977-5	* PLATE	1	PC.
78			253932-2	WAVE WASHER 10	1	PC.
79			419621-1	SLIDE LEVER	1	PC.
80			265775-0	THUMB SCREW M4X3	1	PC.
81			419627-9	HOLDER	1	PC.
82			231316-4	COMPRESSION SPRING 7	1	PC.
83			265701-9	SCREW M6X14	1	PC.
84			922232-8	HEX. SOCKET HEAD BOLT M5X20	1	PC.
85			324709-3	LOCK PIN 8	1	PC.
86			233267-7	COMPRESSION SPRING 7	1	PC.
87			419631-8	LOCK PLATE	1	PC.
88			687063-9	CORD CLAMP	1	PC.
89			265995-6	TAPPING SCREW 4X18	2	PC.
90			631728-5	CONTROLLER	1	PC.
91			213261-5	O RING 17	1	PC.
92			418905-4	DIAL	1	PC.
94			419622-9	SWITCH LEVER	1	PC.
95			651922-3	SWITCH TG71B	1	PC.
96			345745-6	LINK PLATE	1	PC.
97			419629-5	LOCK OFF BUTTON	1	PC.
98			233089-5	COMPRESSION SPRING 12	1	PC.
99			265995-6	TAPPING SCREW 4X18	6	PC.
100			911273-9	PAN HEAD SCREW M5X50	1	PC.
103			664265-4	POWER SUPPLY CORD AWG#16-2-2.5	1	PC.
104			682505-8	CORD GUARD 10-90	1	PC.
105			419626-1	BAFFLE PLATE	1	PC.
106			266044-2	TAPPING SCREW 5X60	2	PC.
107			525741-2	FIELD ASS'Y 115V	1	PC.
		INC.	654020-2	RING TERMINAL	2	PC.
		INC.	654501-6	CONNECTOR P-1.25	2	PC.

Item No.	Type	Sub	Part No.	Description (*see Service changes on the bottom)	Qty	Unit
108			158094-0	MOTOR HOUSING COMPLETE	1	PC.
		INC.	643708-9	BRUSH HOLDER 5-11	2	PC.
109			911273-9	PAN HEAD SCREW M5X50	4	PC.
110	1		191963-2	CARBON BRUSH CB-303 2PC/SET (W/O ORIGIN) - N/L/A	1	SET
	2		194996-6	CARBON BRUSH CB-303 2PC/SET (W/ ORIGIN)	1	SET
111			643750-0	BRUSH HOLDER CAP	2	PC.
112			267781-1	WAVE WASHER 7	1	PC.
113			231372-4	COMPRESSION SPRING 5	1	PC.
115			421479-6	RUBBER RING 19	1	PC.
116			424047-4	PACKING	1	PC.
117			424050-5	SPONGE	1	PC.
118			443137-4	FELT	1	PC.

ACCESSORIES

- See catalogue or visit www.makita.ca for more accessories information -

A01		B-07353	6-1/2" C.T. SAW BLADE 48T(20MM)	1	PC.
		B-07440	6-1/2" C.T. SAW BLADE 56T	1	PC.
		B-07434	6-1/2" C.T. SAW BLADE 28T	1	PC.
A02		783203-8	HEX. WRENCH 5	1	PC.
A03		165447-6	GUIDE RULE (SUB BASE) (SE until May 2011 production)	1	PC.
A04		122562-9	DUST BAG ASSY	1	PC.
A05		194368-5	GUIDE RAIL, 1400MM	1	PC.
		194367-7	GUIDE RAIL, 3000MM	1	PC.
A06		194385-5	CLAMP SET	1	SET
A07		824783-6	PLASTIC CARRYING CASE	1	PC.
A08		194433-0	BEVEL GUIDE SET	1	SET
A09		194416-0	SEAT 10000 SET	1	SET
A10		194417-8	RUBBER SEAT 10000 SET	1	SET
A11		194418-6	POSITION SEAT 1400 SET	1	SET
		194419-4	POSITION SEAT 3000 SET	1	SET
A12		P-80013	VACUUM HOSE ADAPTER	1	PC.

SERVICE CHANGES

1. Changes on Flat washer 10

(T/I# 81172)

Item No.	Description	Type 1	Type 2
77	Flat Washer / Plate	267070-4	345977-4

